

CORROSIONTM handler



Drain-All, Inc.
PO Box 609
1170 Topside Road
Louisville, TN, USA 37777

Phone: 865-970-9290
Fax: 865-977-6658
E-mail: Info@Drain-All.com
WEB SITE: Drain-All.com

INTRODUCTION

Drain-All, Inc., is an engineering, manufacturing and marketing company, with an ISO 9002 certified quality system. Drain-All, Inc. provides unique, high quality, reliable product solutions for draining and moving liquids such as: (1) condensate removal from compressed air systems, (2) oils and lubricants from manufacturing or test equipment, and (3) liquids from atmospheric and vacuum systems.

In 1982 Drain-All, Inc. developed a world class automatic liquid drain valve and was granted several patents on that design. Not only are these patents still current today, they are being expanded and new ones are being added to provide an ever broadening range of application solutions.

Drain-All products are industrially robust, require little maintenance and since they do not require any electrical connections, can be easily installed on equipment at any point in a system. These patented devices are backed by an excellent warranty and a strong technical support staff who are available to assist customers in developing engineered solutions for all of their liquid drainage problems. The Drain-All, Inc. product line includes a wide array of products, options and accessories which enable customers to customize their particular liquid drainage systems. A world-wide network of full service Drain-All distributors has been established who are dedicated to providing outstanding local sales and service support.

SPECIFICATIONS

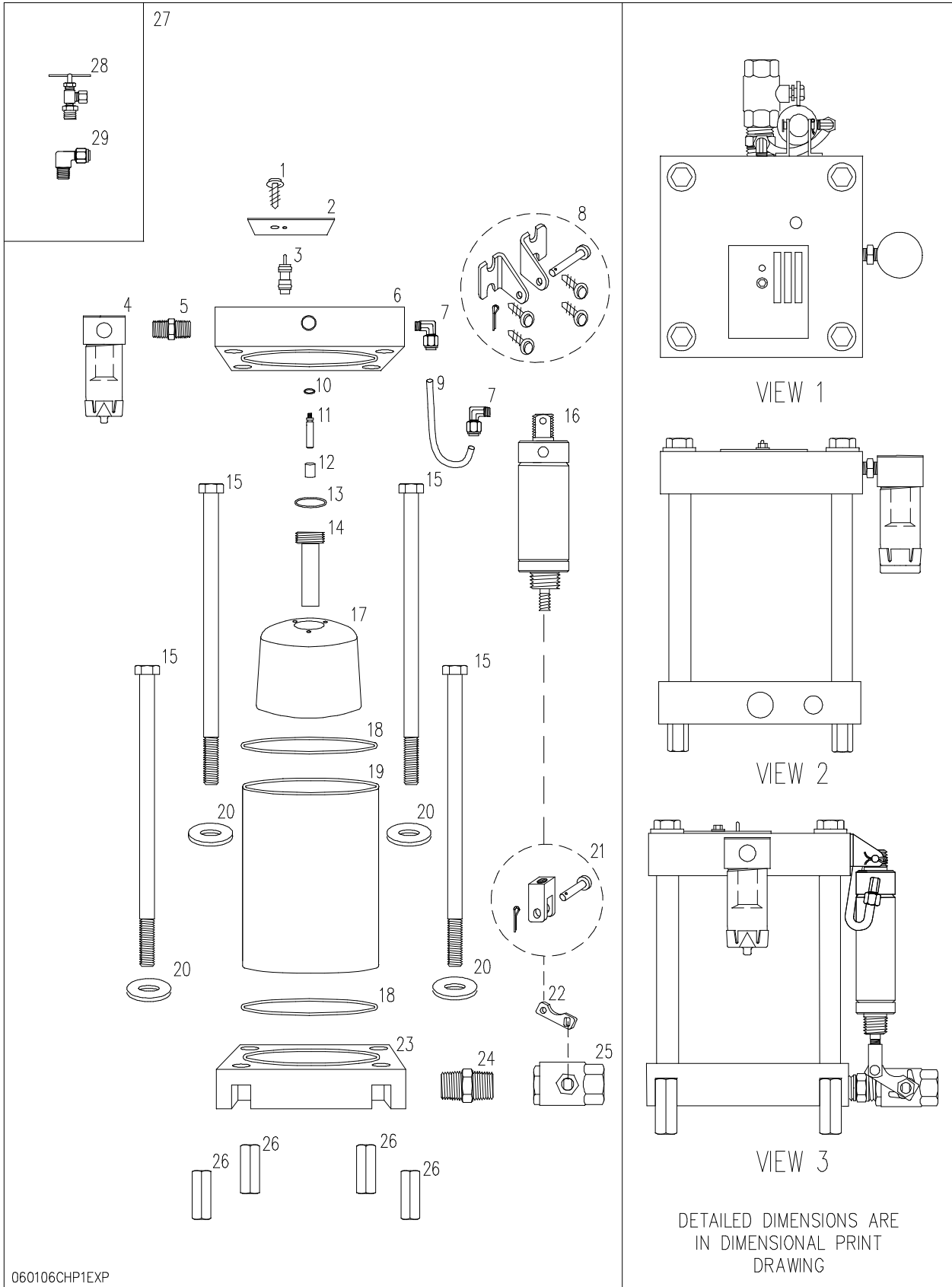
CORROSION HANDLER TM P1	
# 870110	
Max Liquid Temp - °F (°C)	170 (76.7)
Max Liquid Pressure - PSIG (BARG)	170 (11.7)
Control Air Min - PSIG (BARG)	40 (2.8)
Control Air Max - PSIG (BARG)	130 (9.0)
Ht - " (cm)	11 (27.9)
Width - " (cm)	9-1/4 (23.5)
Depth (Inlet/BV) - " (cm)	10-1/2 (26.7)
Inlet/Outlet - " NPT	1/2
Control Air - " NPT	1/4
Balance Line - " NPT	1/8
Capacity	Varies with pressure/piping
Weight - LBS (KG)	14.7 (6.7)

Drain-All Quality System: ISO 9001:2000 Certified

United States Patents
4,444,217 4,562,855 4,574,829 5,004,004 5,014,735



CORROSION HANDLER™ - P1 COMPONENT PARTS DRAWING



060106CHP1EXP

DETAILED DIMENSIONS ARE
IN DIMENSIONAL PRINT
DRAWING

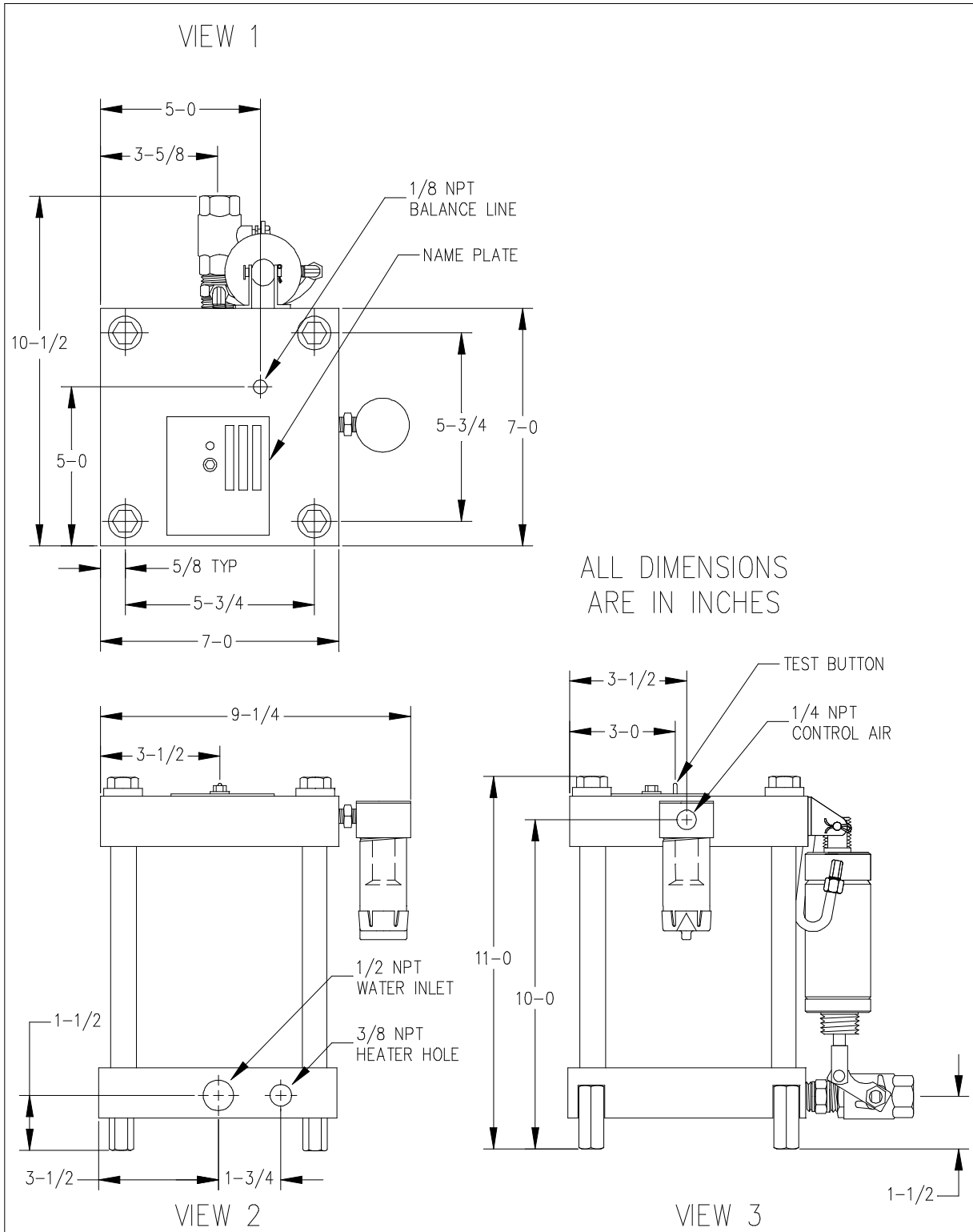


CORROSION HANDLER™ - P1 PARTS & MATERIALS OF CONSTRUCTION

CODE	PART #	ITEM	DESCRIPTION/REMARKS
1	302500	Screw, Self-Tapping, #10 x 5/8" L	Zinc Plated Steel
2	302806	Name Plate	Aluminum
3	306640	Push to Test Button, 0.380" Dia x 1.265" L	Nickel Plated Brass
4	300700	Control Air Filter Assembly, 1/4" NPT	Aluminum Head, Polycarbonate Bowl, Push Dr
5	300800	Hex Nipple, 1/4" NPT, 1-1/8" L	Brass
6	170180	Head, 7"x7"x1-1/2", 0.150" Groove	PVC
7	301000	Elbow Fitting, 1/8" NPT - 1/4" Tube	Brass
8	300301	Cylinder Mount Kit	Includes:
			(2) Brackets-Electroless Nickel Plated
			(4) Screws-Zinc Plated Steel
			(1) Mount Pin-Electroless Nickel Plated
			(1) Cotter Pin-Stainless Steel
9	350350	Control Air Tube, 1/4" Dia x 6" L	Nylon
10	302210	Valve Stem O-ring, 0.235" ID x 0.069" T	Viton, Brown
11	100730	Valve Stem, 0.363" Dia x 2.235" L	O-ring Seal, 6061-T6 Aluminum
12	400100	Inner Magnet, 0.895" Dia x 1.450" L	Ceramic with Viton Ends and Covering
13	302215	Center Tube O-ring, 1.096" ID x 0.069" T	Viton, Brown
14	200190	Center Tube, 1.15" Dia x 4.5" L	O-ring Seal, Stainless Steel
15	302270	Hex Bolt, 1/2" - 13 x 10" L	Zinc Plated Steel
16	300314	Pneumatic Cylinder, 2" Dia	40 - 130 PSI, Stainless Steel Body and Rod, A
17	100480	Float	Polyurethane, Bullet Shaped
18	302200	Sleeve O-ring, 5.519" ID x 0.137" T	Viton, Brown
19	100300	Sleeve, 6" ID x 7" L x .125" T	Epoxy Fiberglass, Translucent
20	301570	Washer, 1/2" SAE	Zinc Plated Steel
21	300292	Clevis and Pin Kit	Includes:
			(1) Clevis-Electroless Nickel Plated
			(1) Clevis Pin-Electroless Nickel Plated
			(1) Cotter Pin-Stainless Steel
22	100825	Control Lever, 1.625" L x 0.500" W x 0.125" T	Stainless Steel for 1/2" NPT Stainless Steel Ball
23	170280	Base, 7"x7"x1-1/2", 1/2" NPT, 0.150" Groove	PVC
24	300901	Hex Nipple, 1/2" NPT, 1.900" L	Stainless Steel
25	300215	Heavy Duty Ball Valve, 1/2" NPT	Double O-ring Viton Stem Seals, Stainless Stee
26	302370	Coupling Nut, 1/2" - 13 x 1-3/4" L	Zinc Plated Steel
27	351135	Installation Kit	Includes:
28			(1) Needle Valve-Brass
29			(1) Elbow Fitting-Brass



CORROSION HANDLER™ - P1 DIMENSIONAL PRINT



060106CHP1DP